

Starter Project

STATIC FIELD DETECTOR

ROBERT PENFOLD



Amuse your friends and family with this novel "electroscope" starter project. – See if they are highly charged characters!

THIS ultra-simple device was designed as a low cost project for complete beginners, but it should also be of interest to those who like to experiment with unusual gadgets. It is a form of electroscope, which is a device that detects static electricity.

No doubt most readers have seen demonstration of purely mechanical devices that use electrostatic forces to show the presence of high static voltages. This device uses some simple electronics to detect much smaller potentials, with a twin l.e.d. display showing any increase or decrease in the detected voltage.

It has to be emphasised that this very simple unit is only intended to be a "fun" project, and it is not suitable for serious scientific purposes. Those with a serious interest in the subject of atmospheric electricity should refer to the recent *EPE* articles (*Atmospheric Electricity Detector* – June/July 2000) on this subject by Keith Garwell.

BASICS

What is the difference between static electricity and the regular variety, and why is it not possible to measure static electricity using ordinary test equipment?

In normal electronics we are concerned with a flow of electricity, with electrons moving along wires or into and out of components. Static electricity is not fundamentally different to the electrical signals we normally deal with in that it is still comprised of electrons. The difference is that the electrons are not going anywhere.

Although normal matter contains electrons, it does not necessarily have a static charge. Matter has a positive charge when it has fewer electrons than normal, or a negative charge if it has an excess of electrons.

As most readers will be aware, static charges can be generated by friction, and rubbing many plastics will generate quite high voltages. The fact that static charges are present in most environments is probably less well known. Where you are right now there could well be a potential of 50V to 100V between the air near the floor and the air about two metres higher up.

On the face of it, measuring voltages of this order should be easy enough and any multimeter should be able to handle the task. In practice matters are more complicated due to the nature of the signals involved. The voltages may be quite high, but the available current is quite low. To be more precise, an appreciable current is available, but only very briefly.

Although a digital multimeter has a high input resistance of typically over 10 megohms, this will still rapidly leak away the charge being measured. In fact, it will leak it away before a meaningful measurement can be made.

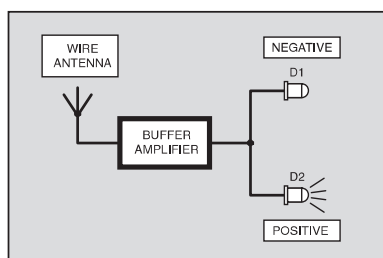


Fig.1. The static detector is basically just a buffer amplifier and two l.e.d.s.

A voltmeter having an extremely high input resistance is needed in order to measure static charges. The amount of current drawn by the test instrument is then so low that it does not significantly reduce the charge voltage during the measurement process.

Obtaining a suitably high input resistance is not difficult, since this is a natural characteristic of field effect transistors (f.e.t.s). It is also an attribute of many operational amplifiers (op.amps) which use field effect devices in their input stages. Op.amps having input resistances of one million megohms or more are commonplace, and this is more than adequate for the present application.

SYSTEM OPERATION

This Static Field Detector uses the simple arrangement shown in Fig.1. An antenna consisting of a short piece of wire is connected to the input of a buffer amplifier that

has an ultra-high input resistance. This amplifier has no voltage gain, and its sole purpose is to provide the circuit with an ultra-high input resistance. There are no bias resistors or other components at the input of the amplifier, which is therefore free to float to whatever potential the antenna assumes.

The output of the amplifier drives two l.e.d. indicators. With the output of the amplifier at about half the supply potential both l.e.d.s are switched on fairly brightly.

If the output potential rises, the brightness of l.e.d. D2 increases but l.e.d. D1 becomes dimmer and will switch off if the output potential becomes high enough. A decrease in the output voltage has the opposite effect, with D1 becoming brighter and D2 going dimmer or even switching off altogether. This method is very simple and inexpensive, but it clearly shows any variations in the detected voltage.

MEASURING WHAT?

When measuring voltages in a circuit you do not simply place one test prod on a test point and read its voltage. Most equipment is of the negative earth variety, and voltages are therefore measured relative to the negative supply rail. One test prod is connected to the earth rail (0V), and the other is placed on the test points.

Here we are effectively using a single test prod in the form of the antenna, with voltage measurements being made relative to nothing. Although it might seem as though the same middle reading will always be obtained, this is not actually the case.

When the unit is first switched on the two l.e.d.s will switch on to indicate a middle voltage. If the unit is moved around the l.e.d.s should soon start to indicate changes in potential. The unit is registering changes in voltage relative to the antenna's starting potential. It would be possible to connect the negative supply rail of the unit to an earth and then make measurements relative to the earth's potential.

However, a simple circuit such as this can only handle an input voltage range of about 0V to 9V, whereas signals of either polarity and up to a few hundred volts in magnitude might be encountered. Also, using an earth is relatively awkward and restrictive. The method used here is freer, easier, and works quite well.

CIRCUIT OPERATION

The full circuit diagram for the Static Field Detector appears in Fig.2. The

operational amplifier, IC1, is the buffer amplifier, and is a bi-f.e.t. device that uses junction gate field effect transistors in its input stage. A device having a MOSFET input stage should work equally well on the input side of things, as should any other bi-f.e.t. op.amp.

The specified TL061CP op.amp has an output stage that will drive both l.e.d.s from fully switched off to fully switched on, whereas most other op.amps will fail to do this. Consequently, the use of alternative devices is not recommended.

No voltage gain is required in this application, so 100 per cent negative feedback is provided by coupling the output of the amplifier (pin 6) to the inverting input (pin 2) via resistor R1. The output adopts the same voltage as the non-inverting input at pin 3, but there is a massive current gain through IC1.

The input current is probably a few nanoamps or even picoamps, but the output can provide a few milliamps to drive the l.e.d.s at good brightness. Resistors R2 and R3 limit the current fed to l.e.d.s D1 and D2 to a safe level.

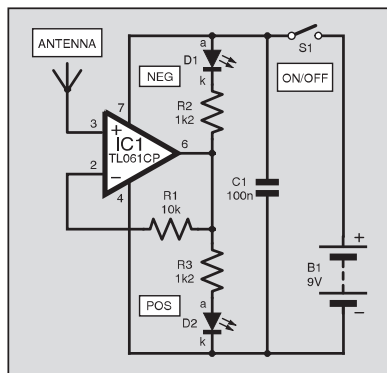


Fig.2. Complete circuit diagram for the Static Field Detector.

The maximum drive current is about 5mA. The TL061CP used for IC1 is a low current device, and the current consumption of the circuit as a whole is never much more than about 5mA.

CONSTRUCTION

The construction of the Static Field Detector is based on the EPE multi-project printed circuit board. This board is available from the EPE PCB Service, code 932. The component layout, wiring and the actual size foil master pattern are shown in Fig.3.

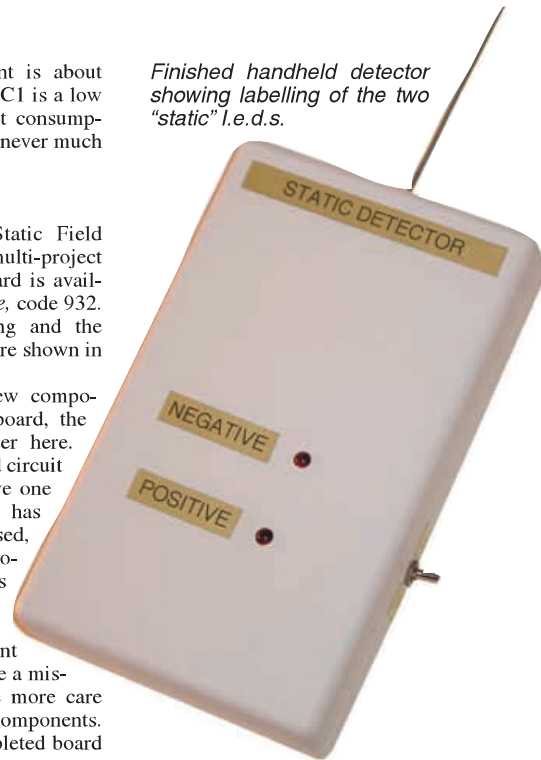
Although there are very few components to fit onto the circuit board, the usual warning is still in order here. Unlike a normal custom printed circuit board, this board does not have one hole per component lead. It has many holes that are left unused, and the small number of components used in this circuit means that the vast majority of them are not used.

The low component count actually makes it easier to make a mistake, so it is essential to take more care than normal when fitting the components. Also, carefully check the completed board for errors.

In all other respects construction of the board offers nothing out of the ordinary. The TL061CP used for IC1 is not a device that is vulnerable to damage from static charges, but it is still advisable to mount it on the board via an i.c. socket.

There are two ways of dealing with the l.e.d.s. One is to mount them in panel holders and then hard wire them to the circuit board. The board should be fitted with connections to the two l.e.d.s will be made. Incidentally, it should also be fitted with pins at the points where connections will be made to on/off switch S1, the battery, and the antenna.

Finished handheld detector showing labelling of the two "static" l.e.d.s.



The alternative method is to mount the l.e.d.s D1 and D2 on the printed circuit board, and to leave the leadout wires quite long. With the printed circuit board mounted on the base panel of the case, the l.e.d.s will then fit into two 5mm dia. holes drilled at the appropriate positions in the top panel.

Note that l.e.d.s, unlike filament bulbs, will only operate if they are connected with the correct polarity. The cathode (k) lead-out wire is normally shorter than the anode (a) lead. Also, most l.e.d.s have a "flat" on the component's body, next to the cathode lead.

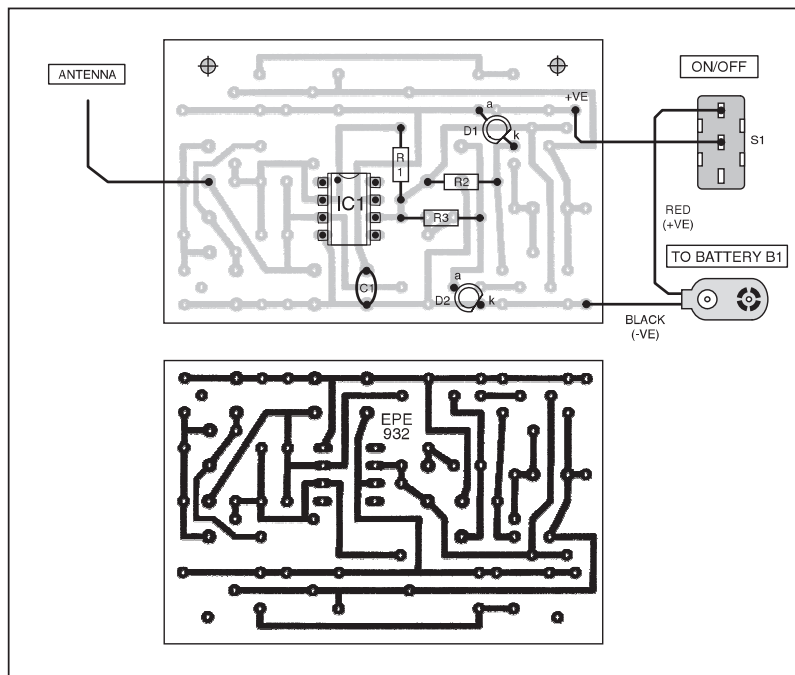


Fig.3. Component layout on the multi-project printed circuit board and full-size copper foil master. Double-check layout as not all holes are used.

COMPONENTS

Resistors

R1 10k
R2, R3 1k2 (2 off)
All 0.25W 5% carbon film

Capacitor

C1 100n ceramic

Semiconductors

D1, D2 5mm panel l.e.d.s, red
IC1 TL061CP (see text)

Miscellaneous

S1 s.p.s.t. min toggle switch
B1 9V battery (PP3 size)

Small plastic case, size to choice; printed circuit board available from the EPE PCB Service, code 932; battery connector; stout tinned copper wire for antenna; plastic stand-off pillars or M3 nuts and bolts (see text); single-sided solder pins (3 off); solder, etc.

Approx. Cost
Guidance Only

£10



